


Table of Contents


| | |
|--|-----------|
| Instrument Set-up | 2 |
| Introduction | 2 |
| Overview | 2 |
| Display | 3 |
| Insert batteries | 3 |
| Operations | 4 |
| Switching ON/OFF | 4 |
| Clear | 4 |
| Message Codes | 4 |
| Adjusting measuring reference / tripod | 4 |
| Multifunctional endpiece | 5 |
| Distance unit setting | 5 |
| Timer (automatic release) | 5 |
| Beep ON/OFF | 6 |
| Illumination ON/OFF | 6 |
| Keypad lock ON | 6 |
| Keypad lock OFF | 6 |
| Measuring Functions | 7 |
| Measuring single distance | 7 |
| Permanent / Minimum-Maximum measuring | 7 |
| Add / Subtract | 7 |
| Area | 8 |
| Volume | 9 |
| Pythagoras (2-point) | 10 |
| Pythagoras (3-point) | 10 |
| Pythagoras (partial height) | 11 |
| Stake out | 12 |
| Memory (20 last displays) | 12 |
| Delete Memory | 12 |
| Technical Data | 13 |

| | |
|---|-----------|
| Message Codes | 14 |
| Care | 14 |
| Safety Instructions | 14 |
| Areas of responsibility | 14 |
| Permitted use | 15 |
| Prohibited use | 15 |
| Hazards in use | 15 |
| Limits of use | 15 |
| Disposal | 15 |
| Electromagnetic Compatibility (EMC) | 15 |
| FCC statement (applicable in U.S.) | 16 |
| Laser classification | 16 |
| Labelling | 16 |

Instrument Set-up

Introduction

 The safety instructions and the user manual should be read through carefully before the product is used for the first time.

 The person responsible for the product must ensure that all users understand these directions and adhere to them.


The symbols used have the following meanings:

 **WARNING**

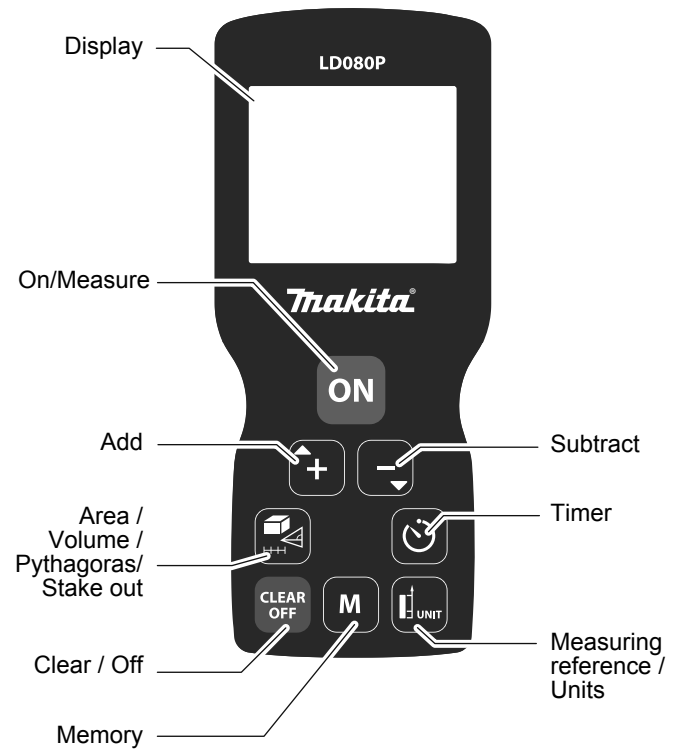
Indicates a potentially hazardous situation or an unintended use which, if not avoided, will result in death or serious injury.

 **CAUTION**

Indicates a potentially hazardous situation or an unintended use which, if not avoided, may result in minor injury and/or appreciable material, financial and environmental damage.

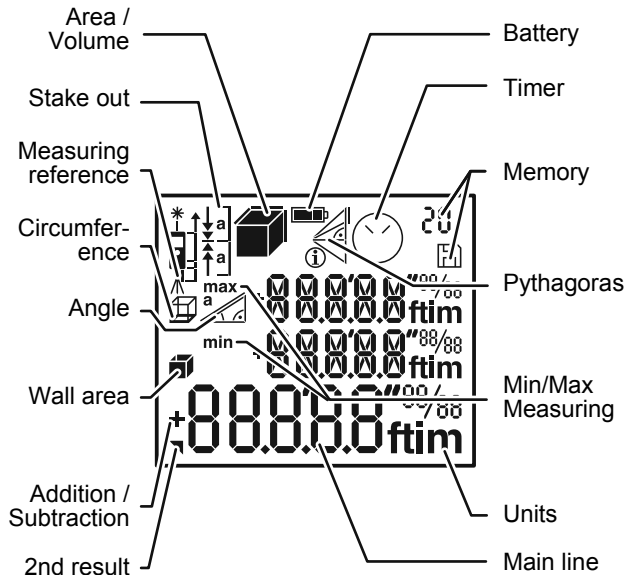
 Important paragraphs which must be adhered to in practice as they enable the product to be used in a technically correct and efficient manner.

Overview

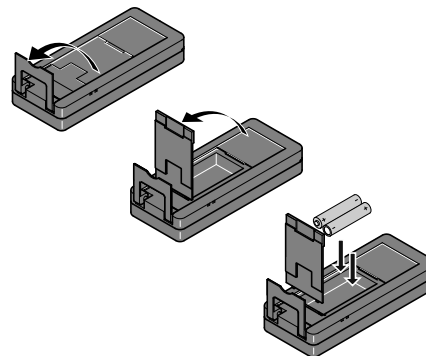


Instrument Set-up

Display

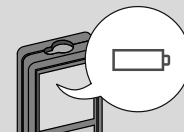


Insert batteries



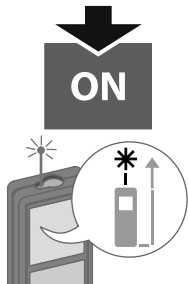
i

To ensure a reliable use, do not use zinc-carbon batteries. Change batteries when battery symbol is flashing.



Operations

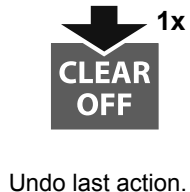
Switching ON/OFF



i

Press ON button 2 sec to start continuous laser mode. If no key is pressed for 180 sec, the device switches off automatically.

Clear



Undo last action.



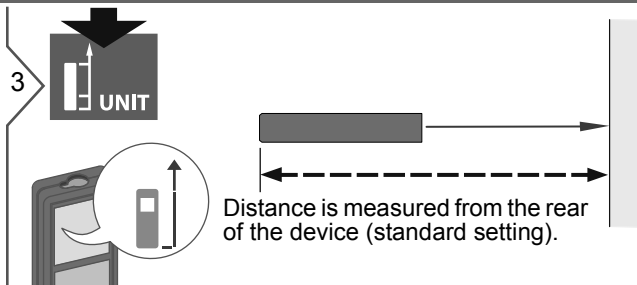
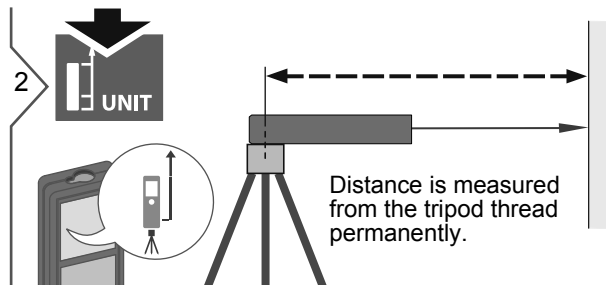
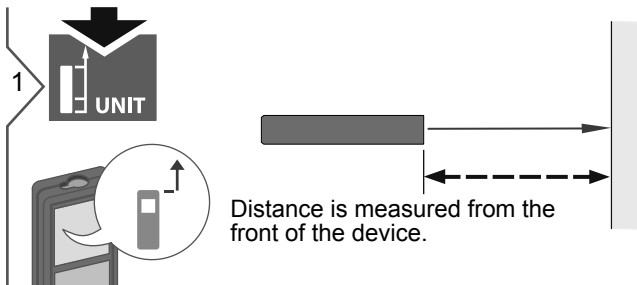
Leave actual function, go to default operation mode.

Message Codes

If the info icon appears with a number, observe the instructions in section "Message Codes". Example:

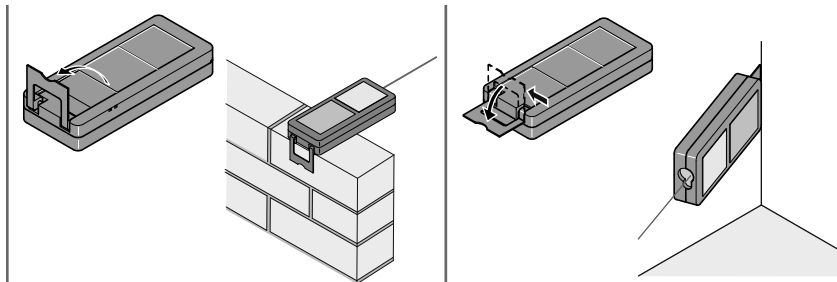


Adjusting measuring reference / tripod



Operations

Multifunctional endpiece



i

The orientation of the endpiece is automatically detected and the zero point is accordingly adjusted.

Distance unit setting

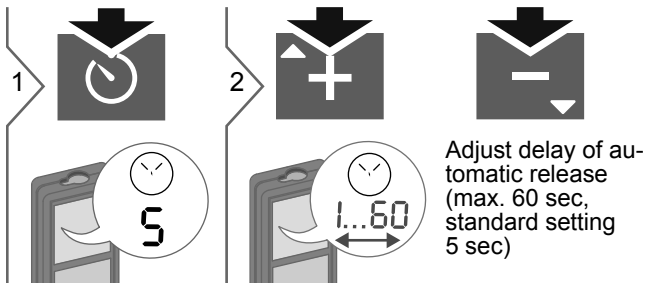


2 sec

Switch between the following units:

| | |
|----------|------------|
| 0.000 m | 0.00 ft |
| 0.0000 m | 0'00" 1/32 |
| 0.00 m | 0.00 in |
| | 0 in 1/32 |

Timer (automatic release)



i

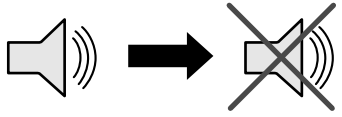
Once the key is released with the laser activated, the remaining seconds until the measurement are displayed in a countdown. The delayed release is recommended for precise aiming e.g. at long distances. It avoids shaking of the device when pressing the measurement key.

Operations

Beep ON/OFF



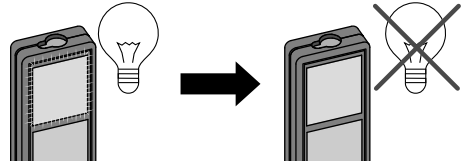
2 sec
simultane-
ously



Illumination ON/OFF



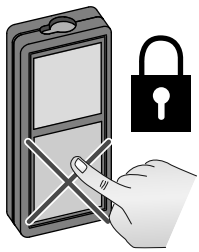
2 sec
simultane-
ously



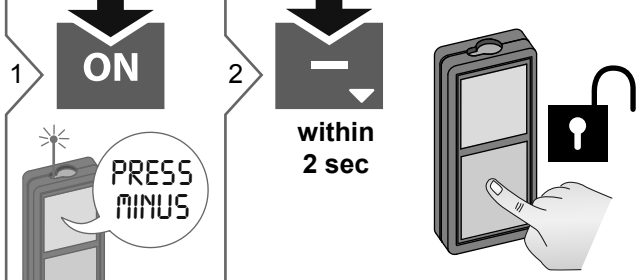
Keypad lock ON



2 sec
simultane-
ously

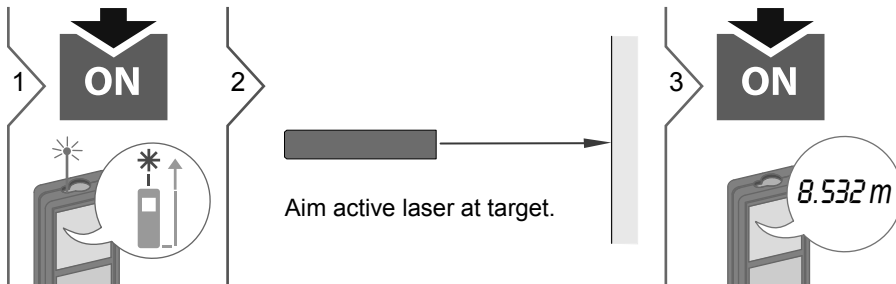


Keypad lock OFF



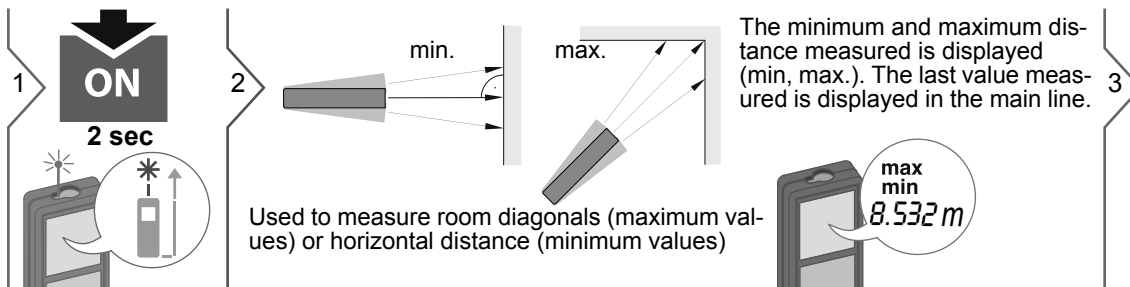
Measuring Functions

Measuring single distance



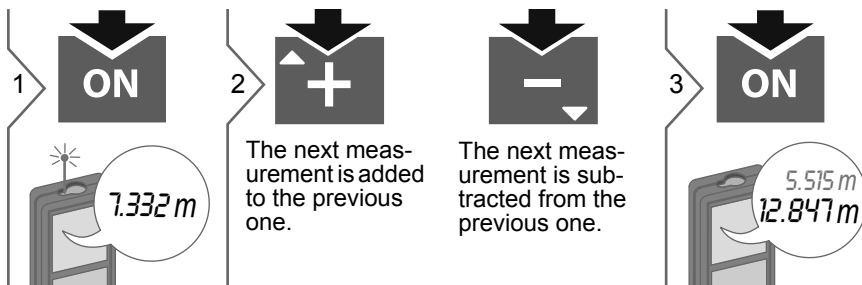
i Target surfaces: Measuring errors can occur when measuring to colourless liquids, glass, styrofoam or semi-permeable surfaces or when aiming at high gloss surfaces. Against dark surfaces the measuring time increases.

Permanent / Minimum-Maximum measuring



Stops permanent / minimum-maximum measuring.

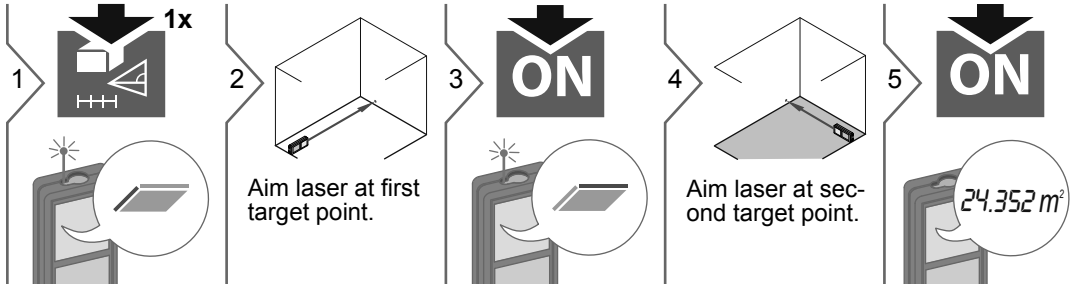
Add / Subtract



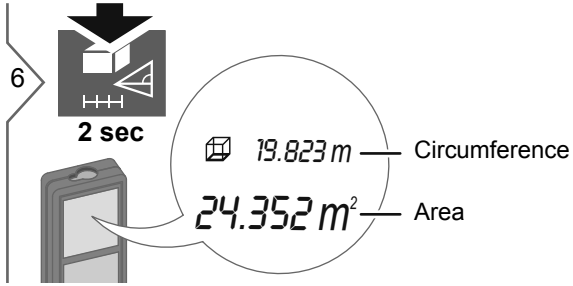
i The result is shown in the main line and the measured value above. This process can be repeated as required. The same process can be used for adding or subtracting areas or volumes.

Measuring Functions

Area


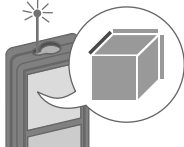


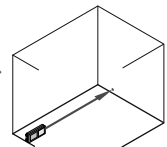
i The result is shown in the main line and the measured value above.


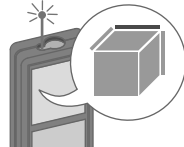


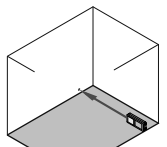
Measuring Functions



Volume

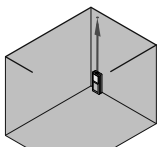
1  


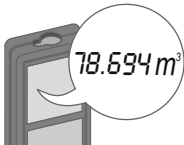
2  Aim laser at first target point.


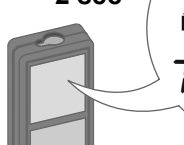
3  

4  Aim laser at second target point.




5  

6  Aim laser at third target point.

7  

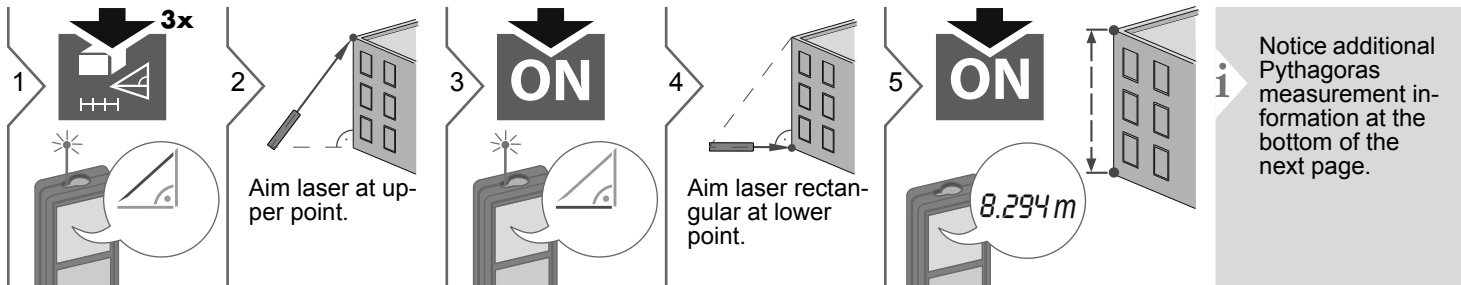
8  

i The result is shown in the main line and the measured value above.

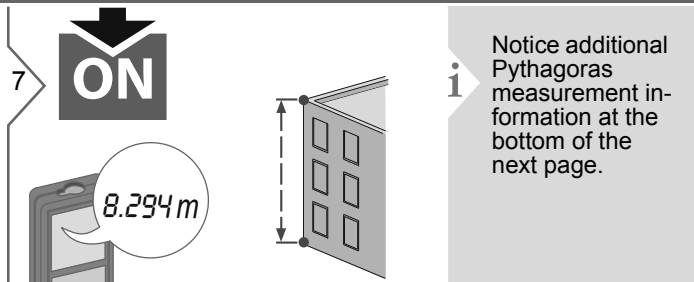
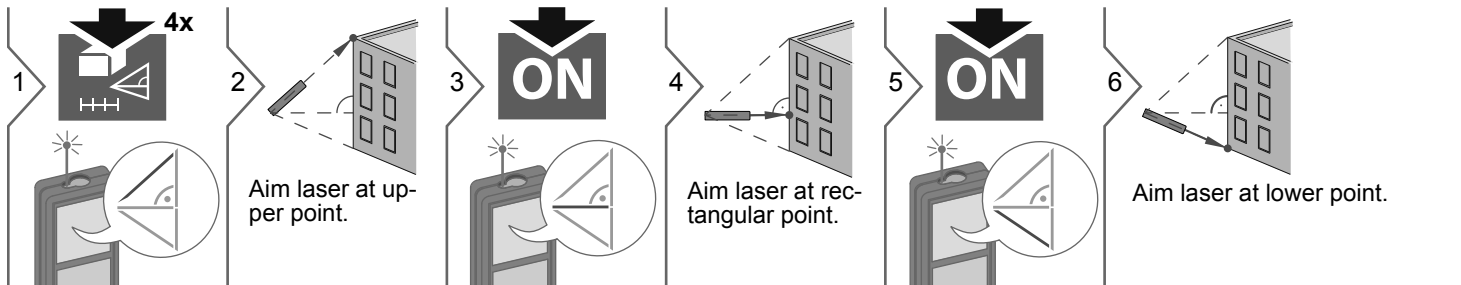
-  80.208 m — Circumference
-  208.703 m² — Wall areas
-  78.694 m³ — Volume

Measuring Functions

Pythagoras (2-point)

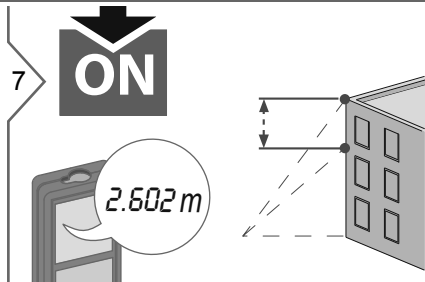
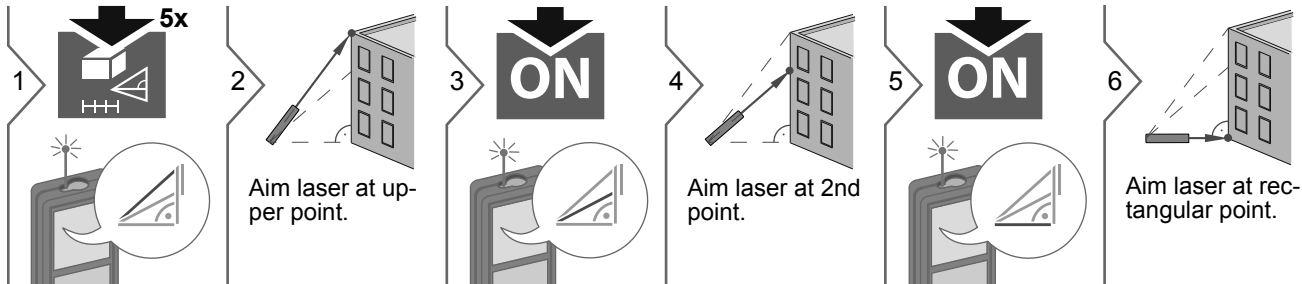


Pythagoras (3-point)



Measuring Functions

Pythagoras (partial height)

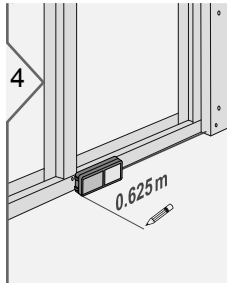
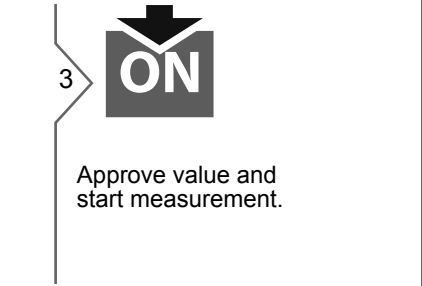
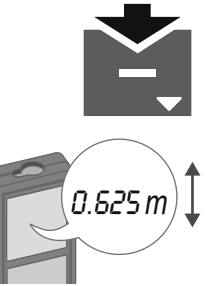
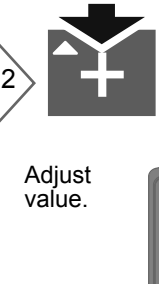
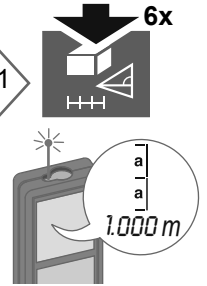
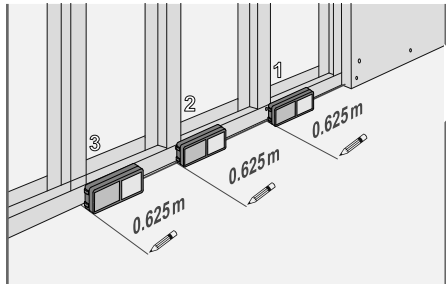


Pythagoras measurements:

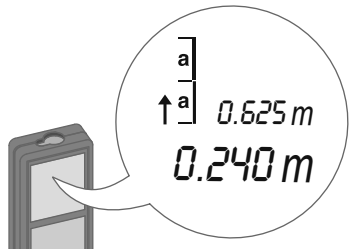
- The result is shown in the main line and the measured distance above.
- A reduced level of accuracy, lower than the level of accuracy of the instrument itself, must generally be expected when the Pythagoras measuring method is used. In order to obtain the best results we recommend to use a tripod or to flip out the corner end piece.
- Pressing the measuring key for 2 sec in the function activates automatically Minimum or Maximum measurement.

Measuring Functions

Stake out



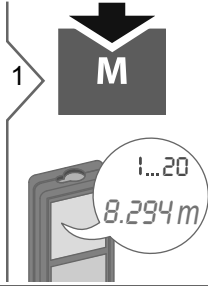
Move device slowly along the stake-out line. The distance to the next stake out point is displayed.



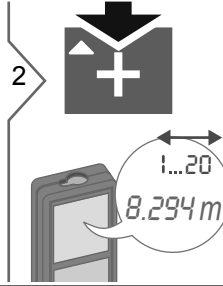
0.240 m is missing up to next 0.625 m distance.

i When approaching a stake out point to less than 0.1 m the instrument starts to beep. The function can be stopped by pressing the CLEAR/OFF button.

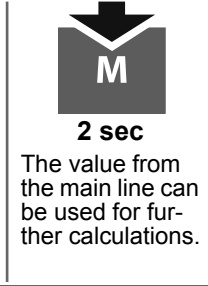
Memory (20 last displays)



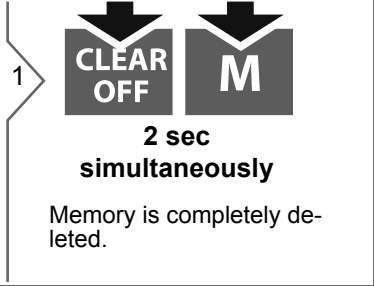
20 last displays are displayed.



Navigates trough 20 last displays.



Delete Memory



Technical Data

| Distance measurement | (ISO 16331-1) |
|--|---|
| Accuracy with favourable conditions * | ± 1.5 mm / 0.06 in *** |
| Accuracy with unfavourable conditions ** | ± 2.5 mm / 0.10 in *** |
| Range with favourable conditions * | 80 m / 262 ft |
| Range with unfavourable conditions ** | 60 m / 197 ft |
| Smallest unit displayed | 0.1 mm / 1/32 in |
| Ø laser point at distances | 6 / 30 / 50 mm (10 / 50 / 80 m) |
| General | |
| Laser class | 2 |
| Laser type | 635 nm, < 1 mW |
| Protection class | IP54 (dust- and splash water protected) |
| Autom. laser switch off | after 90 s |
| Autom. power switch-off | after 180 s |
| Battery durability (2 x AAA) | up to 5000 measurements |
| Dimension (H x D x W) | 117 x 57 x 32 mm 4.6 x 2.4 x 1.3 in |
| Weight (with batteries) | 0.14 kg / 4.938 oz |
| Temperature range: | |
| - Storage | -25 to 70 °C -13 to 158 °F |
| - Operation | -10 to 50 °C 14 to 122 °F |

* favourable conditions are: white and diffuse reflecting target (white painted wall), low background illumination and moderate temperatures.

** unfavourable conditions are: targets with lower or higher reflectivity or high background illumination or temperatures at the upper or lower end of the specified temperature range.

*** Tolerances apply from 0.05 m to 10 m with a confidence level of 95%.

With favourable conditions the tolerance may deteriorate by 0.10 mm/m for distances between 10 m to 30 m and by 0.15 mm/m for distances above 30 m.

With unfavourable conditions the tolerance may deteriorate by 0.15 mm/m for distances between 10 m to 30 m and by 0.20 mm/m for distances above 30 m.

- i For accurate indirect results, the use of a tripod is recommended. For accurate tilt measurements a transverse tilt should be avoided.

| Functions | |
|--------------------------|----------------------------------|
| Distance measuring | yes |
| Min/Max measuring | yes |
| Permanent measuring | yes |
| Stake-out | yes |
| Addition/Subtraction | yes |
| Area | yes |
| Volume | yes |
| Pythagoras | 2-point, 3-point, partial height |
| Memory | 20 displays |
| Beep | yes |
| Illuminated display | yes |
| Multifunctional endpiece | yes |

Message Codes

If the message **Error** does not disappear after switching on the device repeatedly, contact the dealer.

If the message **InFo** appears with a number, press the Clear button and observe the following instructions:

| No. | Cause | Correction |
|-----|---|--|
| 156 | Transverse tilt greater than 10° | Hold the instrument without any transverse tilt. |
| 162 | Calibration mistake | Make sure, the device is placed on a absolutely horizontal and flat surface. Repeat the calibration procedure. If the mistake still occurs, contact your dealer. |
| 204 | Calculation error | Perform measurement again. |
| 252 | Temperature too high | Let device cool down. |
| 253 | Temperature too low | Warm device up. |
| 255 | Received signal too weak, measuring time too long | Change target surface (e.g. white paper). |
| 256 | Received signal too high | Change target surface (e.g. white paper). |
| 257 | Too much background light | Shadow target area. |
| 258 | Measurement outside of measuring range | Correct range. |
| 260 | Laser beam interrupted | Repeat measurement. |

Care

- Clean the device with a damp, soft cloth.
- Never immerse the device in water.
- Never use aggressive cleaning agents or solvents.

Safety Instructions

The person responsible for the instrument must ensure that all users understand these directions and adhere to them.

Areas of responsibility

Responsibilities of the manufacturer of the original equipment:

Makita Corporation Anjo,
Aichi 446-8502 Japan /
Makita, Jan-Baptist Vinkstraat 2, 3070,
Belgium
Internet: www.makita.com

The company above is responsible for supplying the product, including the User Manual in a completely safe condition. The company above is not responsible for third party accessories.

Responsibilities of the person in charge of the instrument:

- To understand the safety instructions on the product and the instructions in the User Manual.
- To be familiar with local safety regulations relating to accident prevention.
- Always prevent access to the product by unauthorised personnel.

Safety Instructions

Permitted use

- Measuring distances
- Tilt measurement

Prohibited use

- Using the product without instruction
- Using outside the stated limits
- Deactivation of safety systems and removal of explanatory and hazard labels
- Opening of the equipment by using tools (screwdrivers, etc.)
- Carrying out modification or conversion of the product
- Use of accessories from other manufacturers without express approval
- Deliberate dazzling of third parties; also in the dark
- Inadequate safeguards at the surveying site (e.g. when measuring on roads, construction sites, etc.)
- Deliberate or irresponsible behaviour on scaffolding, when using ladders, when measuring near machines which are running or near parts of machines or installations which are unprotected
- Aiming directly in the sun

Hazards in use

WARNING

Watch out for erroneous measurements if the instrument is defective or if it has been dropped or has been misused or modified. Carry out periodic test measurements. Particularly after the instrument has been subject to abnormal use, and before, during and after important measurements.

CAUTION

Never attempt to repair the product yourself. In case of damage, contact a local dealer.

WARNING

Changes or modifications not expressly approved could void the user's authority to operate the equipment.

Limits of use

- Refer to section "Technical data".
- The device is designed for use in areas permanently habitable by

humans. Do not use the product in explosion hazardous areas or in aggressive environments.

Disposal

CAUTION

Flat batteries must not be disposed of with household waste. Care for the environment and take them to the collection points provided in accordance with national or local regulations.

The product must not be disposed with household waste.

Dispose of the product appropriately in accordance with the national regulations in force in your country.



Adhere to the national and country specific regulations.

Product specific treatment and waste management can be downloaded from our homepage.

Electromagnetic Compatibility (EMC)

WARNING

The device conforms to the most stringent requirements of the relevant standards and regulations.

Yet, the possibility of causing interference in other devices cannot be totally excluded.

Safety Instructions

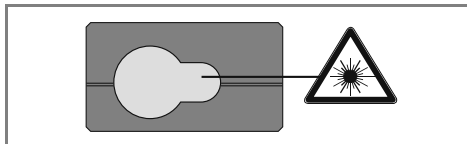
FCC statement (applicable in U.S.)

This equipment has been tested and found to comply with the limits for a Class B digital device, pursuant to part 15 of the FCC Rules. These limits are designed to provide reasonable protection against harmful interference in a residential installation. This equipment generates, uses and can radiate radio frequency energy and, if not installed and used in accordance with the instructions, may cause harmful interference to radio communications.

However, there is no guarantee that interference will not occur in a particular installation. If this equipment does cause harmful interference to radio or television reception, which can be determined by turning the equipment off and on, the user is encouraged to try to correct the interference by one or more of the following measures:

- Reorient or relocate the receiving antenna.
- Increase the separation between the equipment and receiver.
- Connect the equipment into an outlet on a circuit different from that to which the receiver is connected.
- Consult the dealer or an experienced radio/TV technician for help.

Laser classification



The device produces visible laser beams, which are emitted from the instrument: It is a Class 2 laser product in accordance with:

- IEC60825-1 : 2014 „Radiation safety of laser products“

Laser Class 2 products:

Do not stare into the laser beam or direct it towards other people unnecessarily. Eye protection is normally afforded by aversion responses including the blink reflex.

! WARNING

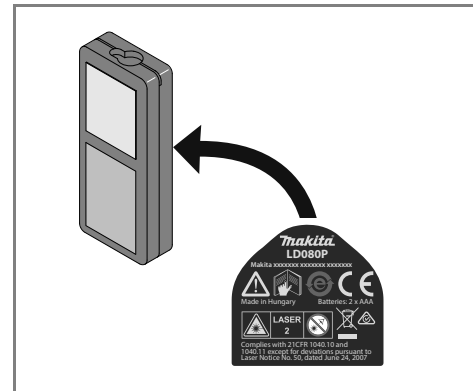
Looking directly into the beam with optical aids (e.g. binoculars, telescopes) can be hazardous.

! CAUTION

Looking into the laser beam may be hazardous to the eyes.

| Description | Value |
|-----------------------------------|-----------------|
| Maximum peak radiant output power | 0.95 mW |
| Wavelength | 635 nm |
| Pulse duration | > 400 ps |
| Pulse repetition frequency | 320 MHz |
| Beam divergence | 0.16 x 0.6 mrad |

Labelling



Subject to change (drawings, descriptions and technical data) without prior notice.